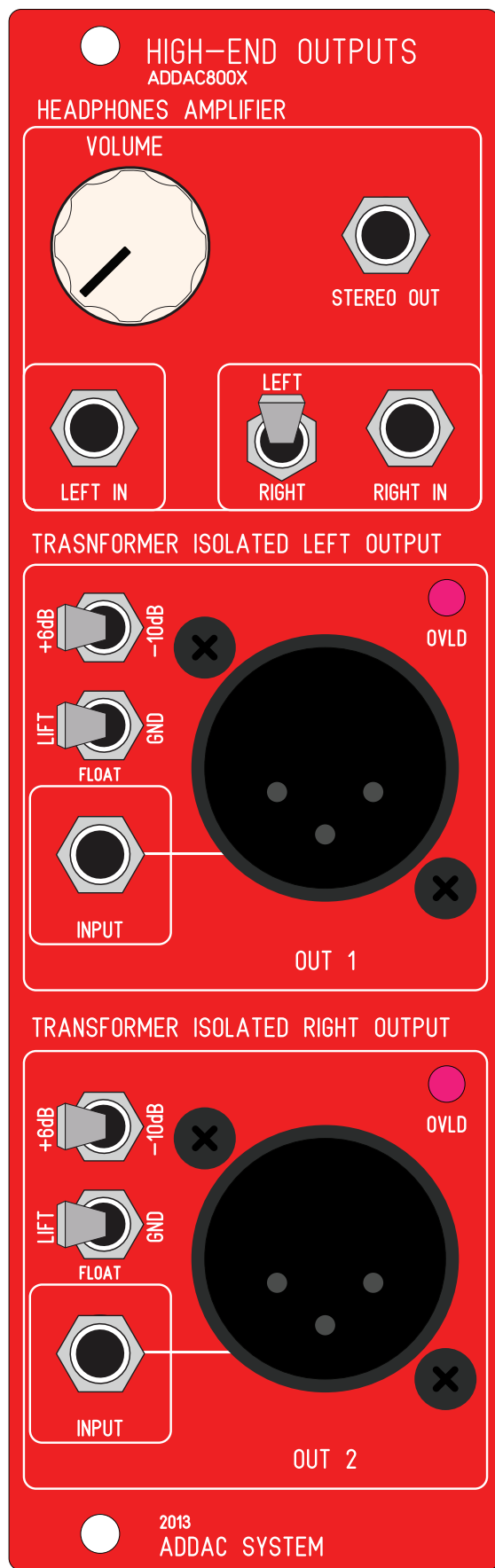
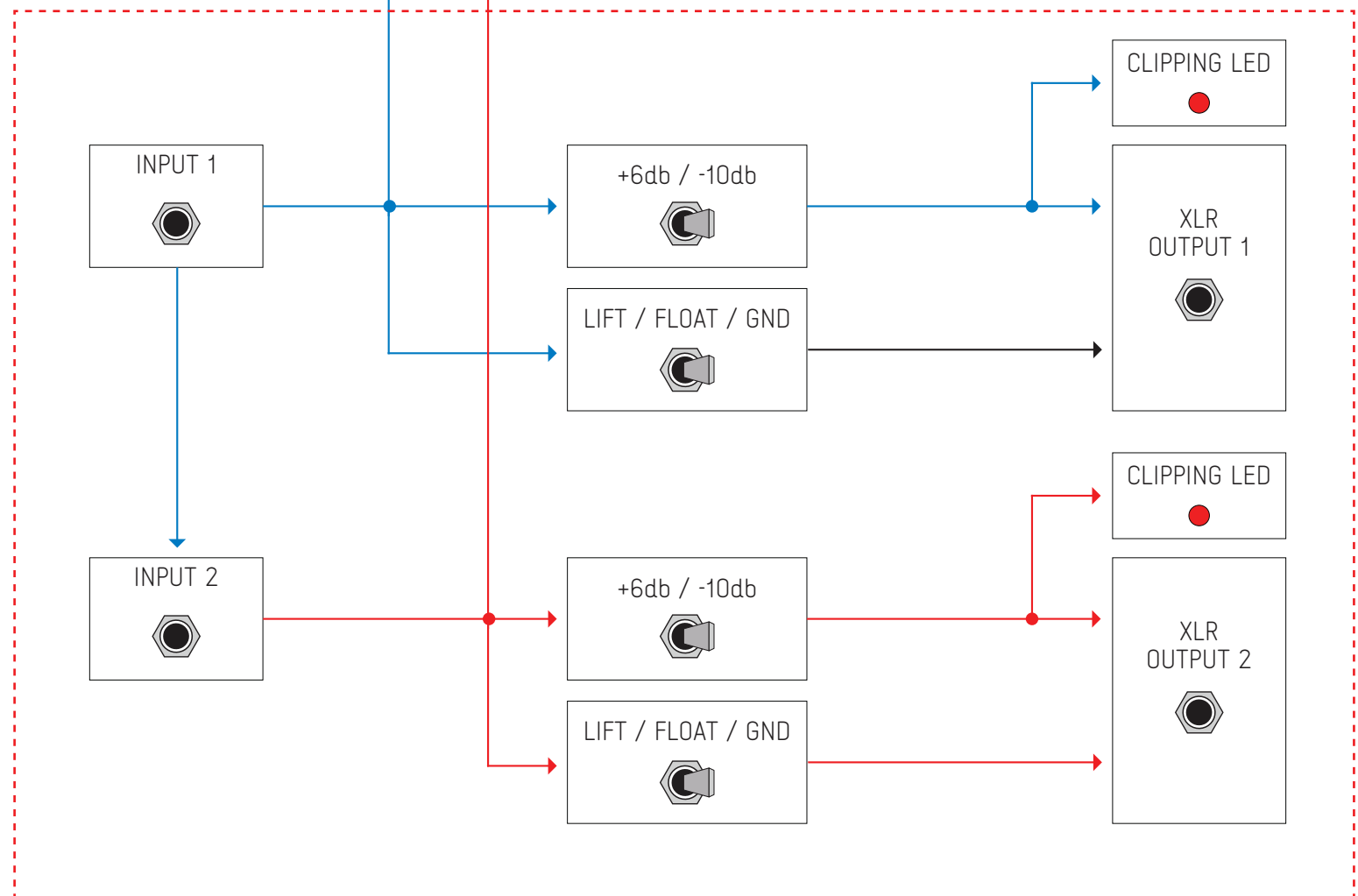
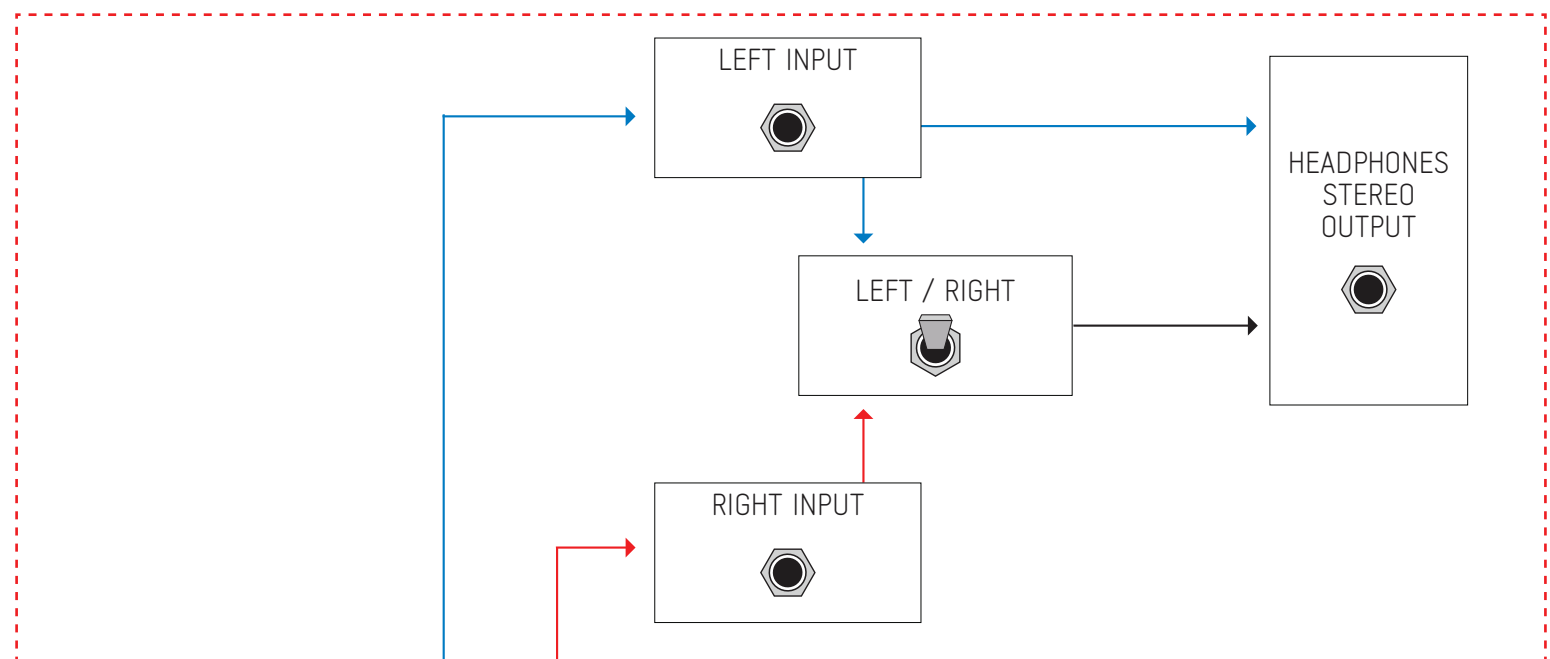


# ADDAC800X SIGNAL FLOW



## HEADPHONES SECTION



## ISOLATED OUTPUTS